

Industrial-Grade USB 3.2 Hub

Models:
U360-004-IND
U360-007-IND
U360-010-IND

Important Safety Instructions	2
Features	3
System Requirements	4
Package Contents	4
Powering the Hub	4
Mounting Kit Installation	5
Specifications	9
Warranty	10

Este manual está disponible en español en la página de Eaton:
Tripplite.Eaton.com/support

Ce manuel est disponible en français sur le site Web de Eaton :
Tripplite.Eaton.com/support

Dieses Handbuch ist in deutscher Sprache auf der Eaton-Website verfügbar:
Tripplite.Eaton.com/support

Questo manuale è disponibile in italiano sul sito web di Eaton:
Tripplite.Eaton.com/support



Powering Business Worldwide

Before attempting to connect, operate or adjust this product, please read the entire Owner's Manual first.

Important Safety Instructions

- Always read the safety instructions carefully
- Keep this Owner's Manual for future reference
- If any of the following situations arise, schedule an appointment to have your equipment inspected by a service technician:
 - The equipment has been exposed to moisture
 - The equipment has been dropped and damaged
 - The equipment shows obvious signs of breakage
 - The equipment is not functioning properly or is not functioning according to the Owner's Manual instructions

Features

- Increases the number of SuperSpeed USB ports from a single computer port (4 ports for U360-004-IND model / 7 ports for U360-007-IND model / 10 ports for U360-010-IND model)
- USB 3.2 compliant with data transfer rates up to 5 Gbps
- Backward compatible with USB 2.0 and 1.x
- Rugged all-metal enclosure designed for use in industrial applications
- Wall-mount and DIN rail hardware included for secure installation
- USB ports support USB cables with locking connectors
- Three power connection options (source USB port, external power supply (not included) or 3-wire terminal block)
- Each USB 3.2 port provides up to 900 mA of power
- Overcurrent detection and protection
- ESD protection to +/- 20 kV
- EFT protection to +/- 2.5 kV
- Automatic link and speed detection
- Plug-and-play; no software or drivers required

System Requirements

- Compatible with all USB-enabled operating systems

Package Contents

- U360-004-IND, U360-007-IND or U360-010-IND Industrial-Grade USB 3.2 Hub
- USB 3.2 cable
- 3-pin power terminal block
- DIN mounting hardware
- Wall-mount hardware
- Owner's Manual

Powering the Hub

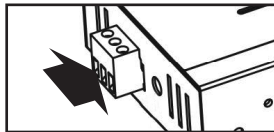
DC-In

To power the hub, plug the user-supplied power adapter into the wall outlet.

Note: *The U360-004-IND, U360-007-IND and U360-010-IND are compatible with listed LPS power supplies from 9V DC to 40V DC. These power supplies use a 5.5 x 2.1 x 9.5 mm output plug with either a positive tip and a negative sleeve, or a negative tip and positive sleeve.*

Power Terminal

To power the hub using a power terminal, plug the supplied power terminal block into the hub according to the connector's orientation.

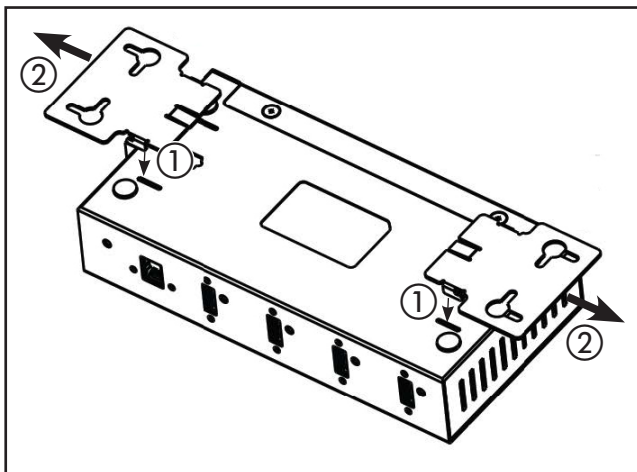


Mounting Kit Installation

Mounting Hardware Installation

The U360-004-IND, U360-007-IND and U360-010-IND hubs can be placed on a flat surface, or mounted using the included wall-mount brackets or DIN rail hardware. Reference the diagram below when installing the mounting hardware.

Wall-Mount Hardware Installation

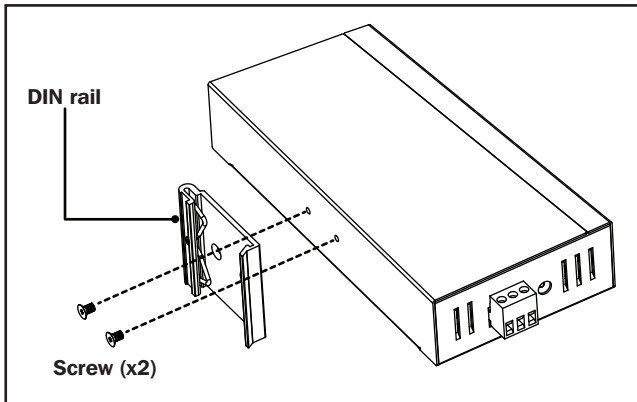


To install the wall-mount brackets, insert the bracket tabs into the slots on the bottom of the unit ① and then pull outward to lock into place ②.

Mounting Kit Installation

DIN Rail Hardware Installation

Using the included hardware, mount the DIN rail to the side of the unit.



Specifications

Item	Description
Ports	4 x USB 3.2 (U360-004-IND model) 7 x USB 3.2 (U360-007-IND model) 10 x USB 3.2 (U360-010-IND model)
ESD Protection	+/- 20 kV
EFT Protection	+/- 2.5 kV
Transmission Speed	Up to 5 Gbps
Power Requirement	Bus-power 9-40V DC power supply 3-pin terminal (9-40V DC)
Storage Temperature	14° to 131°F / -10° to 55°C
Operating Temperature	32° to 104°F / 0° to 40°C
Relative Humidity	5 to 90%
Dimensions, L x W x H	6.2 x 3.1 x 1.3 in. / 158 x 80 x 32 mm (U360-004-IND and U360-007-IND models) 7.9 x 3.1 x 1.3 in. / 201 x 80 x 32 mm (U360-010-IND model)
Enclosure Material	Metal
Regulatory Approvals	FCC/CE

Specification is subject to change without further notice.

Warranty

3-Year Limited Warranty

We warrant our products to be free from defects in materials and workmanship for a period of three (3) years from the date of initial purchase. Our obligation under this warranty is limited to repairing or replacing (at its sole option) any such defective products. Visit Tripplite.Eaton.com/support/product-returns before sending any equipment back for repair. This warranty does not apply to equipment which has been damaged by accident, negligence or misapplication or has been altered or modified in any way.

EXCEPT AS PROVIDED HEREIN, WE MAKE NO WARRANTIES, EXPRESS OR IMPLIED, INCLUDING WARRANTIES OF MERCHANTABILITY AND FITNESS FOR A PARTICULAR PURPOSE. Some states do not permit limitation or exclusion of implied warranties; therefore, the aforesaid limitation(s) or exclusion(s) may not apply to the purchaser.

EXCEPT AS PROVIDED ABOVE, IN NO EVENT WILL WE BE LIABLE FOR DIRECT, INDIRECT, SPECIAL, INCIDENTAL OR CONSEQUENTIAL DAMAGES ARISING OUT OF THE USE OF THIS PRODUCT, EVEN IF ADVISED OF THE POSSIBILITY OF SUCH DAMAGE. Specifically, we are not liable for any costs, such as lost profits or revenue, loss of equipment, loss of use of equipment, loss of software, loss of data, costs of substitutes, claims by third parties, or otherwise.

FCC Notice, Class B

This device complies with part 15 of the FCC Rules. Operation is subject to the following two conditions: (1) This device may not cause harmful interference, and (2) this device must accept any interference received, including interference that may cause undesired operation.

Note: This equipment has been tested and found to comply with the limits for a Class B digital device, pursuant to part 15 of the FCC Rules. These limits are designed to provide reasonable protection against harmful interference when the equipment is operated in a commercial environment. This equipment generates, uses, and can radiate radio frequency energy and, if not installed and used in accordance with the instruction manual, may cause harmful interference to radio communications. Operation of this equipment in a residential area is likely to cause harmful interference in which case the user will be required to correct the interference at his own expense. The user must use shielded cables and connectors with this equipment. Any changes or modifications to this equipment not expressly approved by Eaton could void the user's authority to operate this equipment.

Warranty

WEEE Compliance Information for Customers and Recyclers (European Union)



Under the Waste Electrical and Electronic Equipment (WEEE) Directive and implementing regulations, when customers buy new electrical and electronic equipment from Eaton, they are entitled to:

- Send old equipment for recycling on a one-for-one, like-for-like basis (this varies depending on the country)
- Send the new equipment back for recycling when this ultimately becomes waste

Use of this equipment in life support applications where failure of this equipment can reasonably be expected to cause the failure of the life support equipment or to significantly affect its safety or effectiveness is not recommended.

Eaton has a policy of continuous improvement. Specifications are subject to change without notice.



Powering Business Worldwide

Eaton
1000 Eaton Boulevard
Cleveland, OH 44122
United States
Eaton.com

© 2023 Eaton
All Rights Reserved
Publication No. 23-08-068 /
93-366E_RevE
August 2023

Eaton is a registered
trademark.

All trademarks are property
of their respective owners.