

Owner's Manual

4x1 HDMI over Cat6 Switch Extender Kit, 4K @ 60 Hz, Up to 230 ft.

Model: B127A-4X1-BH

Este manual está disponible en español en la página de Tripp Lite:
triplite.com

Ce manuel est disponible en français sur le site Web de Tripp Lite :
triplite.com

Русскоязычная версия настоящего руководства представлена на
веб-сайте компании Tripp Lite по адресу: triplite.com

Dieses Handbuch ist in deutscher Sprache auf der Tripp Lite-Website
verfügbar: triplite.com

WARRANTY REGISTRATION

Register your product today and be automatically entered to
win an ISOBAR® surge protector in our monthly drawing!

triplite.com/warranty



1111 W. 35th Street, Chicago, IL 60609 USA • triplite.com/support

Copyright © 2021 Tripp Lite. All rights reserved.

Package Contents

- Switch
- Receiver
- IR Adapter
- IR Remote Control
- External Power Supply (Input: 100–240V, 50/60 Hz, 0.6A; Output: 24V 1A)
- (4x) International Plug Adapters (North America, Europe, U.K. and Australia)
- Mounting Hardware
- Owner's Manual

Optional Accessories

- N202-Series Cat6 24 AWG Solid-Wire Patch Cables
- P569-XXX-CERT or P568-XXX-2A Series High-Speed HDMI 2.0 Cables

Product Features

- Connects up to 4 HDMI sources to a single HDMI display up to 230 ft. away via Cat6 cable
- Switches between the 4 source devices by push button or included IR remote control
- Supports 4K @ 60 Hz video resolutions (3840 x 2160), as specified in HDMI 2.0, with 4:4:4 chroma subsampling
- Carries High Dynamic Range (HDR) signals for rich contrast and expanded color accuracy
- Complies with HDCP 2.2 and EDID standards
- Double-gang metal wall plate switch includes detachable brackets for mounting to a pole, rack or flat surface
- Power over Cable (PoC) technology provides power to the receiver via Cat6 cable
- Plug-and-play operation with no software required for easy, immediate installation

Mounting Instructions

The B127A-4X1-BH includes mounting hardware that allows for a variety of mounting methods. The following images illustrate how the included mounting brackets can be attached for different installations.

Notes:

- *The model shown in the below images is for illustrative purposes only. Your product may vary by model number, size or port orientation. The mounting options for all Over Cat6 units are the same.*
- *The wall plate switch unit includes screws for mounting to a wall or ceiling. The receiver unit includes mounting brackets for mounting the unit to a wall, pole or rack.*

Wall-Mount



19" Rack-Mount Pole-Mount



Installation

Before installation, please check the following settings of your source(s) and TV/monitor(s):

- 1.** Set display to 60 Hz. Double-check factory settings, as default can be set to a lower frequency (Hz) than advertised.
- 2.** Ensure the input setting of your monitor is set at HDMI 2.0. Some displays may have default setting at HDMI 1.4.
- 3.** Verify your monitor has the HDR feature enabled. Some displays may have this feature disabled as a factory setting.
- 4.** Check if the Ultra HD (UHD) Deep Color setting is enabled on your TV/monitor. Confirm with your TV/monitor manufacturer which HDMI ports support UHD Deep Color.

Standard Switch Kit Installation

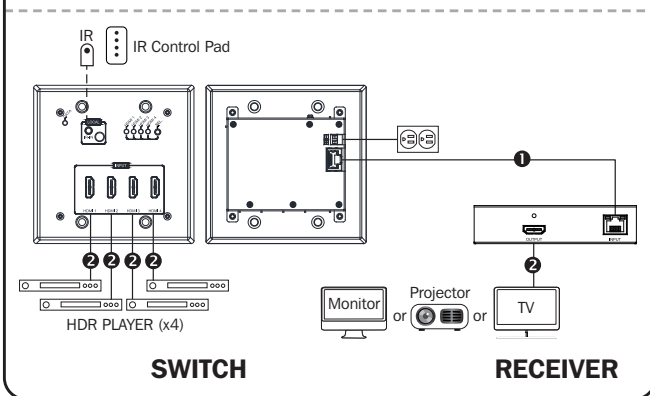
Notes:

- *Test to ensure the entire installation works properly before pulling cables through ceilings/walls.*
- *To achieve maximum distance and performance, use 24 AWG solid-wire Cat6 cable. Using stranded-wire Cat6 cable or cable with a gauge (AWG) size higher than 24 AWG will result in shorter extension distance. Higher-gauge cabling, such as 26 AWG, has more limited transmission capability than lower-gauge cabling. All Tripp Lite N202-Series Cat6 cables are made with 24 AWG solid-wire cabling.*
- *The installation diagram shows a B127A-4X1-BH switch and receiver kit.*
- *External power is not required for the remote receiver due to PoC technology incorporated in the switch.*

Installation

B127A-4X1-BH

- 1 Up to 230 ft. (70 m) Cat6 cable at 4K/60 Hz
- 2 Up to 15 ft. (4.5 m) HDMI 2.0 cable at 4K/60 Hz



1. Make sure all equipment in the installation, such as televisions, Blu-ray players and the transmitter, is powered off.
2. Using an HDMI 2.0 cable (such as Tripp Lite P569-XXX-CERT or P568-XXX-2A Series cables), connect the HDMI source(s) to the INPUT ports on the switch. Up to 4 HDMI sources can be connected to the switch.

Installation

- 3. Optional:** For extended range, connect a B127A-010-H signal repeater (sold separately) between the switch's RJ45 output port and receiver using a Cat6 cable. See B127A-010-H product features on triplite.com for more information.
- 4.** Using Cat6 cable, connect the RJ45 port on the switch to the RJ45 port on the receiver.
- 5.** Using an HDMI 2.0 cable, connect the receiver's HDMI port to a monitor.
- 6.** Turn on the power to your connected TV/monitor.
- 7.** Connect the external power supply to the switch. Plug it into an available wall outlet or a Tripp Lite surge protector, power distribution unit (PDU) or uninterruptible power supply (UPS). The DATA (green) LED on the switch will illuminate to indicate the unit is receiving power from the external power supply. The POWER (green) LED on the receiver will illuminate to indicate the unit is receiving power from the switch.
- 8.** Turn on the power to the HDMI source(s). The numeric HDMI (orange) LEDs on the switch will illuminate to indicate a signal is being received from the desired source. Use the push button on the switch or the included remote control to choose between sources.
- 9.** The (orange) RJ45 LED will illuminate on the receiver and the DATA (green) LED on the switch will flash to indicate a signal is being received from the source to the display. The selected image should now display on the connected monitor(s).

Warranty and Product Registration

1-Year Limited Warranty

Seller warrants this product, if used in accordance with all applicable instructions, to be free from original defects in material and workmanship for a period of one (1) year from the date of initial purchase. If the product should prove defective in material or workmanship within that period, Seller will repair or replace the product, at its sole discretion.

THIS WARRANTY DOES NOT APPLY TO NORMAL WEAR OR TO DAMAGE RESULTING FROM ACCIDENT, MISUSE, ABUSE OR NEGLIGENCE. SELLER MAKES NO EXPRESS WARRANTIES OTHER THAN THE WARRANTY EXPRESSLY SET FORTH HEREIN. EXCEPT TO THE EXTENT PROHIBITED BY APPLICABLE LAW, ALL IMPLIED WARRANTIES, INCLUDING ALL WARRANTIES OF MERCHANTABILITY OR FITNESS, ARE LIMITED IN DURATION TO THE WARRANTY PERIOD SET FORTH ABOVE; AND THIS WARRANTY EXPRESSLY EXCLUDES ALL INCIDENTAL AND CONSEQUENTIAL DAMAGES. (Some states do not allow limitations on how long an implied warranty lasts, and some states do not allow the exclusion or limitation of incidental or consequential damages, so the above limitations or exclusions may not apply to you. This warranty gives you specific legal rights, and you may have other rights which vary from jurisdiction to jurisdiction.)

WARNING: The individual user should take care to determine prior to use whether this device is suitable, adequate or safe for the use intended. Since individual applications are subject to great variation, the manufacturer makes no representation or warranty as to the suitability or fitness of these devices for any specific application.

Product Registration

Visit triplite.com/warranty today to register your new Tripp Lite product. You'll be automatically entered into a drawing for a chance to win a FREE Tripp Lite product!*

*No purchase necessary. Void where prohibited. Some restrictions apply. See website for details.

WEEE Compliance Information for Tripp Lite Customers and Recyclers (European Union)



Under the Waste Electrical and Electronic Equipment (WEEE) Directive and implementing regulations, when customers buy new electrical and electronic equipment from Tripp Lite, they are entitled to:

- Send old equipment for recycling on a one-for-one, like-for-like basis (this varies depending on the country)
- Send the new equipment back for recycling when this ultimately becomes waste

Use of this equipment in life support applications where failure of this equipment can reasonably be expected to cause the failure of the life support equipment or to significantly affect its safety or effectiveness is not recommended.

Tripp Lite has a policy of continuous improvement. Specifications are subject to change without notice. Photos and illustrations may differ slightly from actual products.



1111 W. 35th Street, Chicago, IL 60609 USA • triplite.com/support