

Owner's Manual

Industrial USB 2.0 Hub

Models:

U223-004-IND-1 (4-Port)

U223-007-IND-1 (7-Port)

Este manual esta disponible en español en la página de
Tripp Lite: triplite.com/support

Ce manuel est disponible en français sur le site Web de
Tripp Lite : triplite.com/support

Русскоязычная версия настоящего руководства представлена на веб-сайте
компании Tripp Lite по адресу: triplite.com

WARRANTY REGISTRATION

Register your product today and be
automatically entered to win an ISOBAR®
surge protector in our monthly drawing!

triplite.com/warranty



1111 W. 35th Street, Chicago, IL 60609 • triplite.com/support

Copyright © 2020 Tripp Lite. All rights reserved.

Introduction

This industrial USB 2.0 Hub offers a simple way to expand a system's current USB capability by providing 4 or 7 additional external USB 2.0 ports via a single USB 2.0 host connection. Fully compliant with USB 2.0 specifications, this hub is backward compatible with 1.x specifications to support older USB peripherals.

Features

- Backward compatible with USB 1.x specifications and devices
- Supports high-speed (480 Mbps), full-speed (12 Mbps) and low-speed (1.5 Mbps) data transfer modes
- Supports screw-locked USB 2.0 cable on all upstream and downstream USB ports
- Fuse protection on all upstream, downstream and power input ports
- +/- 15KV ESD protection
- Max 500mA per port
- All-metal chassis for durability
- Includes terminal block for 9V to 36V DC power input for high-power devices

System Requirements

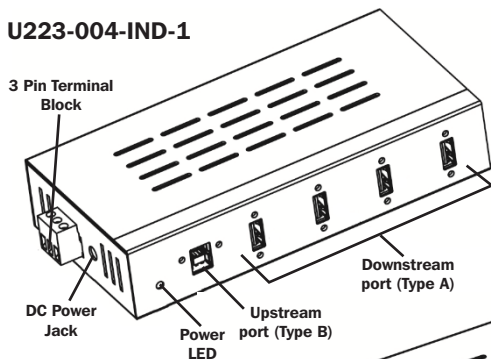
- Windows® XP/Vista/7/8/8.1/10 (32/64 bit)
- Linux 2.6.24 or later
- Mac OS X 10.10.3 or later

Package Contents

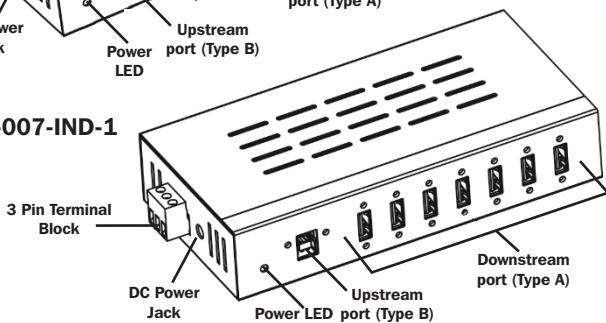
- Industrial USB 2.0 Hub
- USB A/B Cable
- Wall Mounting Kit
- DIN Rail Mounting Kit
- Terminal Block
- User Manual

Hardware Description

U223-004-IND-1

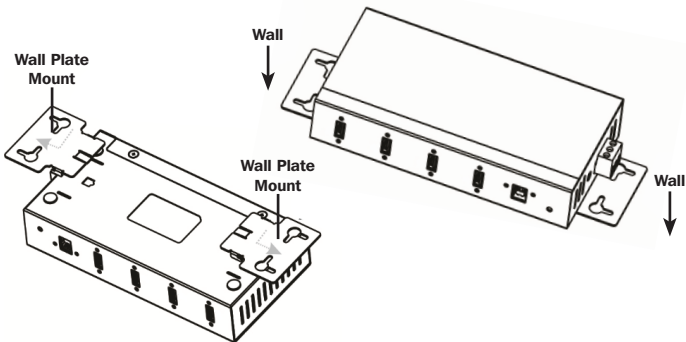


U223-007-IND-1



Installation

The industrial hub can be mounted on a wall, if desired. Use the included Wall Mounting Kit to mount the hub to the wall.



- 1** Connect a user-supplied power adapter to the USB Hub. The power LED should illuminate solid. Supplying power is optional; however, to ensure each USB port is fully powered, connecting external power is recommended

Note: The terminal block and DC jack power input **SHOULD NOT** be used simultaneously.

- 2** Connect the USB cable from the USB hub (Type-B port) to the host computer system.
- 3** The operating system will detect the hub immediately and install it automatically.
- 4** Once installation is complete, connected USB devices will be recognized by the hub.

Specifications

Item	Description
Ports	(4x) USB 2.0 (U223-004-IND-1) (7x) USB 2.0 (U223-007-IND-1)
ESD Protection	15kV ESD
Operating Temperature	32° to 140°F (0° to 60°C)
Storage Temperature	14° to 176°F (-10° to 80°C)
Relative Humidity	5 to 90% RH, Non-Condensing
Dimensions (L x W x H)	158 x 80 x 32 mm 1.26 x 3.15 x 6.22 in.
Enclosure Material	Metal
Regulatory Approvals	CE/FCC

Warranty & Product Registration

2-YEAR LIMITED WARRANTY

TRIPP LITE warrants its products to be free from defects in materials and workmanship for a period of two (2) years from the date of initial purchase. TRIPP LITE's obligation under this warranty is limited to repairing or replacing (at its sole option) any such defective products. To obtain service under this warranty, you must obtain a Returned Material Authorization (RMA) number from TRIPP LITE or an authorized TRIPP LITE service center. Products must be returned to TRIPP LITE or an authorized TRIPP LITE service center with transportation charges prepaid and must be accompanied by a brief description of the problem encountered and proof of date and place of purchase. This warranty does not apply to equipment, which has been damaged by accident, negligence or misapplication or has been altered or modified in any way.

EXCEPT AS PROVIDED HEREIN, TRIPP LITE MAKES NO WARRANTIES, EXPRESS OR IMPLIED, INCLUDING WARRANTIES OF MERCHANTABILITY AND FITNESS FOR A PARTICULAR PURPOSE.

Some states do not permit limitation or exclusion of implied warranties; therefore, the aforesaid limitation(s) or exclusion(s) may not apply to the purchaser.

EXCEPT AS PROVIDED ABOVE, IN NO EVENT WILL TRIPP LITE BE LIABLE FOR DIRECT, INDIRECT, SPECIAL, INCIDENTAL OR CONSEQUENTIAL DAMAGES ARISING OUT OF THE USE OF THIS PRODUCT, EVEN IF ADVISED OF THE POSSIBILITY OF SUCH DAMAGE. Specifically, TRIPP LITE is not liable for any costs, such as lost profits or revenue, loss of equipment, loss of use of equipment, loss of software, loss of data, costs of substitutes, claims by third parties, or otherwise.

Product Registration

Visit tripplite.com/warranty today to register your new Tripp Lite product. You'll be automatically entered into a drawing for a chance to win a FREE Tripp Lite product!*

* No purchase necessary. Void where prohibited. Some restrictions apply. See website for details.

FCC Notice, Class B

This device complies with part 15 of the FCC Rules. Operation is subject to the following two conditions: (1) This device may not cause harmful interference, and (2) this device must accept any interference received, including interference that may cause undesired operation.

Warranty & Product Registration

Note: This equipment has been tested and found to comply with the limits for a Class B digital device, pursuant to part 15 of the FCC Rules. These limits are designed to provide reasonable protection against harmful interference in a residential installation. This equipment generates, uses and can radiate radio frequency energy and, if not installed and used in accordance with the instructions, may cause harmful interference to radio communications. However, there is no guarantee that interference will not occur in a particular installation. If this equipment does cause harmful interference to radio or television reception, which can be determined by turning the equipment off and on, the user is encouraged to try to correct the interference by one or more of the following measures:

- Reorient or relocate the receiving antenna.
- Increase the separation between the equipment and receiver.
- Connect the equipment into an outlet on a circuit different from that to which the receiver is connected.
- Consult the dealer or an experienced radio/TV technician for help.

Any changes or modifications to this equipment not expressly approved by Tripp Lite could void the user's authority to operate this equipment.

WEEE Compliance Information for Tripp Lite Customers and Recyclers (European Union)



Under the Waste Electrical and Electronic Equipment (WEEE) Directive and implementing regulations, when customers buy new electrical and electronic equipment from Tripp Lite they are entitled to:

- Send old equipment for recycling on a one-for-one, like-for-like basis (this varies depending on the country)
- Send the new equipment back for recycling when this ultimately becomes waste

Use of this equipment in life support applications where failure of this equipment can reasonably be expected to cause the failure of the life support equipment or to significantly affect its safety or effectiveness is not recommended.

Tripp Lite has a policy of continuous improvement. Specifications are subject to change without notice. Photos and illustrations may differ slightly from actual products.



1111 W. 35th Street, Chicago, IL 60609 • triplite.com/support