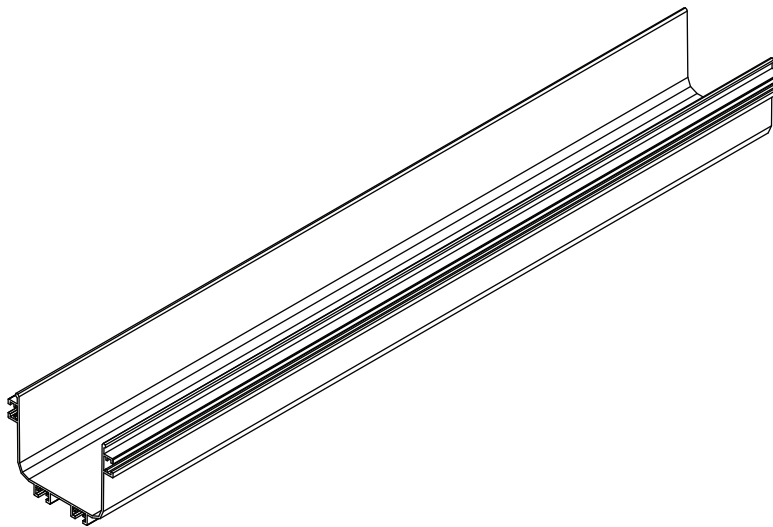


Installation Guide

Straight Channel Section for Fiber Routing System

Models: SRFC5STR48, SRFC5STR72, SRFC10STR48, SRFC10STR72



Este guía esta disponible en español
en la página de Tripp Lite:
triplite.com/support

Ce guide est disponible en français
sur le site Web de Tripp Lite :
triplite.com/support

Русскоязычная версия настоящего
краткого руководства представлена
на веб-сайте компании Tripp Lite по
адресу: triplite.com/support

WARRANTY REGISTRATION

Register your product today and be
automatically entered to win an ISOBAR
surge protector in our monthly drawing!

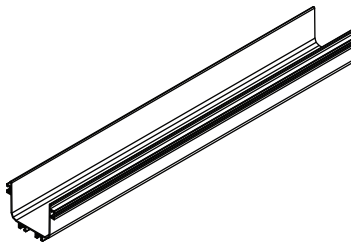
triplite.com/warranty



1111 W. 35th Street, Chicago, IL 60609 USA • triplite.com/support

Copyright © 2020 Tripp Lite. All rights reserved.

Parts List



Straight Channel Section, x1

Models and Dimensions

Before proceeding with installation, first confirm your model and dimensions.

Model	Cross-Sectional View	Height	Interior Width	Length
SRFC5STR48		4.6 in. (118 mm)	4.8 in. (120 mm)	48 in. (1219 mm)
SRFC5STR72		4.6 in. (118 mm)	4.8 in. (120 mm)	72 in. (1829 mm)
SRFC10STR48		4.6 in. (118 mm)	9.5 in. (241 mm)	48 in. (1219 mm)
SRFC10STR72		4.6 in. (118 mm)	9.5 in. (241 mm)	72 in. (1829 mm)

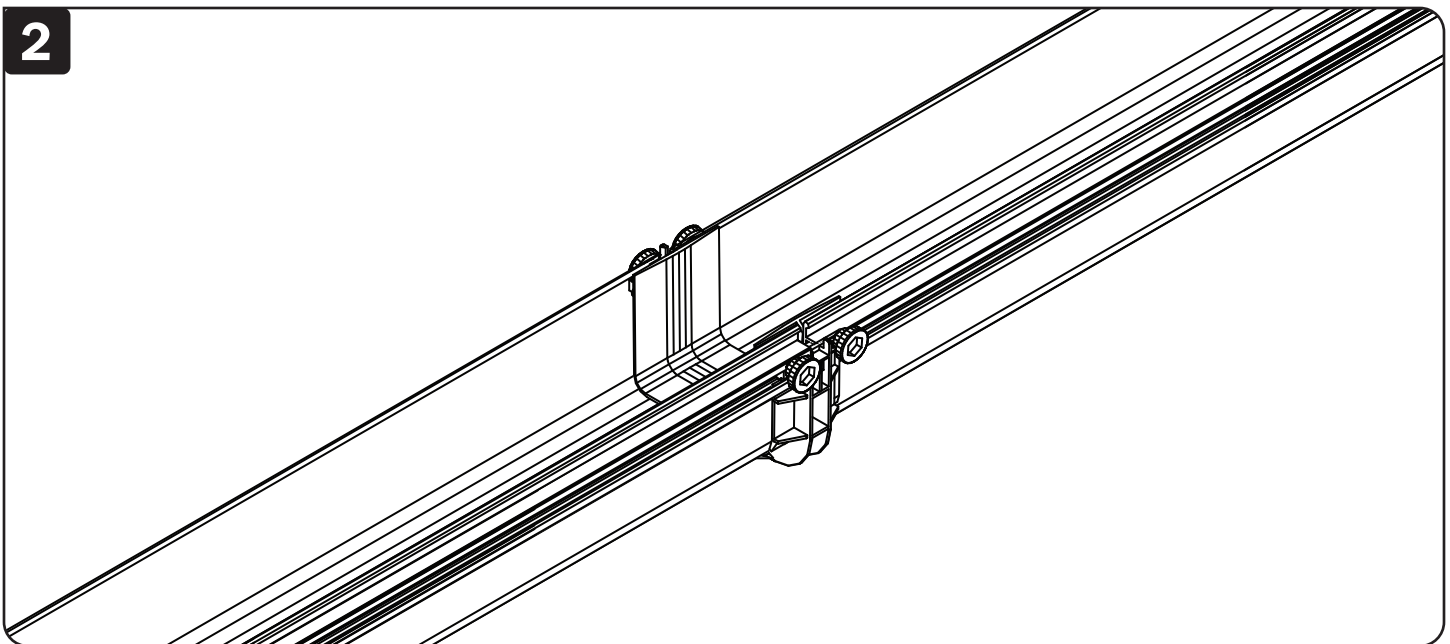
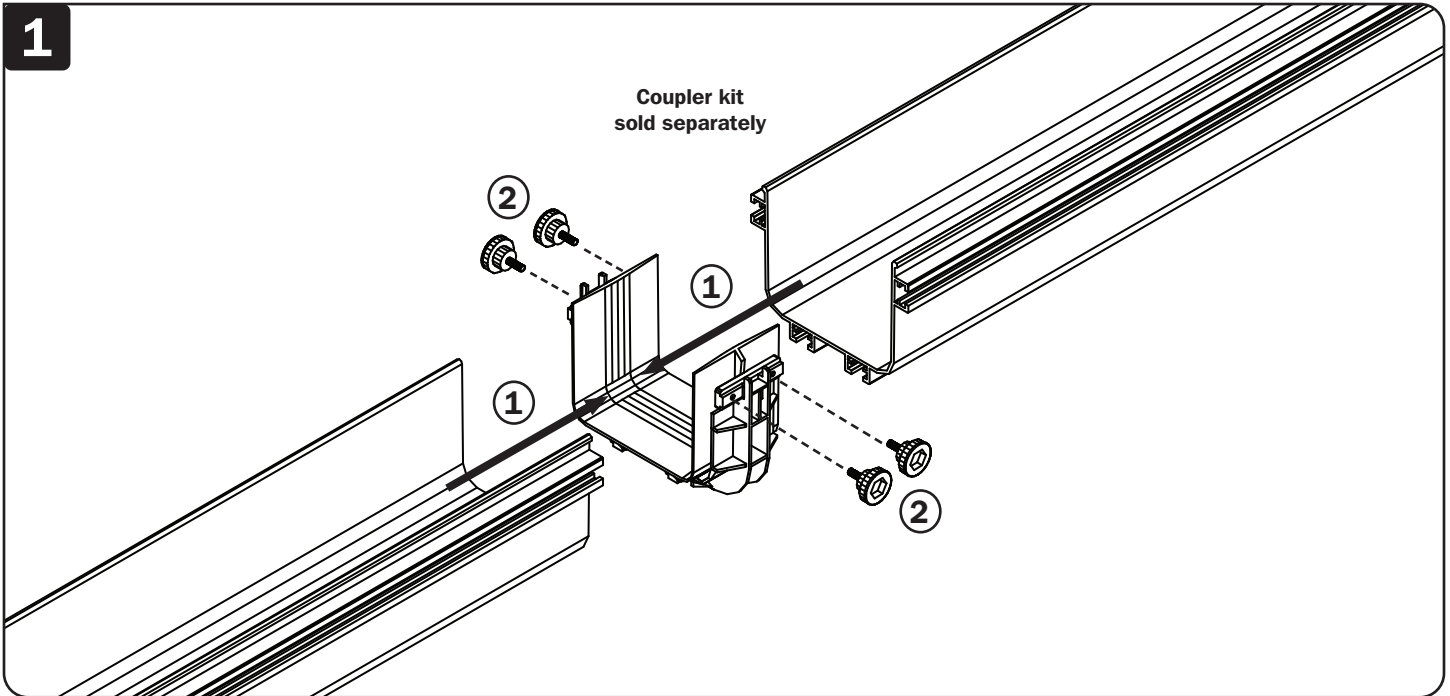
Additional Accessories

All accessories are sold separately.

Accessory Model Number		Accessory Description and Function
5 in. (120 mm) System	10 in. (240 mm) System	
SRFC5CPL5	SRFC10CPL10	Coupler Kit to Connect Channels and Fittings
SRFC5RAMP	SRFC10RAMP	Up/Down Ramp to Change Level of a Horizontal Run
SRFC5ELBOW	SRFC10ELBOW	90-Degree Fitting to Create Elbow in a Horizontal Run
SRFC5JUNT	SRFC10JUNT	T-Shaped Fitting to Create 90-Degree Branch from a Straight Run
SRFC5JUNT4	SRFC10JUNT4	4-Way Cross Fitting to Create a Junction with 2 Horizontal Exits
SRFC5DROP	SRFC10DROP	Trumpet Drop-Out Kit to Limit Bend Radius at an Exit from a Channel, Horizontal T or Vertical T
SRFC4WTRFL		Movable Waterfall Adapter to Enable Cable to Cascade over the Side at a Horizontal Exit
SRFC4WTRFL36		Movable Waterfall Adapter with Pipe to Enable Cable to Cascade over the Side into 36 in. Corrugated Plastic Pipe at a Horizontal Exit
SRFC4WTRFL48		Movable Waterfall Adapter with Pipe to Enable Cable to Cascade over the Side into 48 in. Corrugated Plastic Pipe at a Horizontal Exit
SRFC5CAP	SRFC10CAP	End Cap Kit to Close off the End of a Channel for a Professional, Finished Look
SRFC5CPL10		Adapter to Combine 5 in. (120 mm) Components with 10 in. (240 mm) Components

Installation

Straight channel sections carry fiber cables horizontally through the system. Connect to additional straight channel sections or other fittings using SRFC5CPL5 or SRFC10CPL10 couplers, sold separately. Tighten screws and nuts by hand, no tools necessary.



Tripp Lite has a policy of continuous improvement. Specifications are subject to change without notice. Photos and illustrations may differ slightly from actual products.



1111 W. 35th Street, Chicago, IL 60609 USA • triplite.com/support