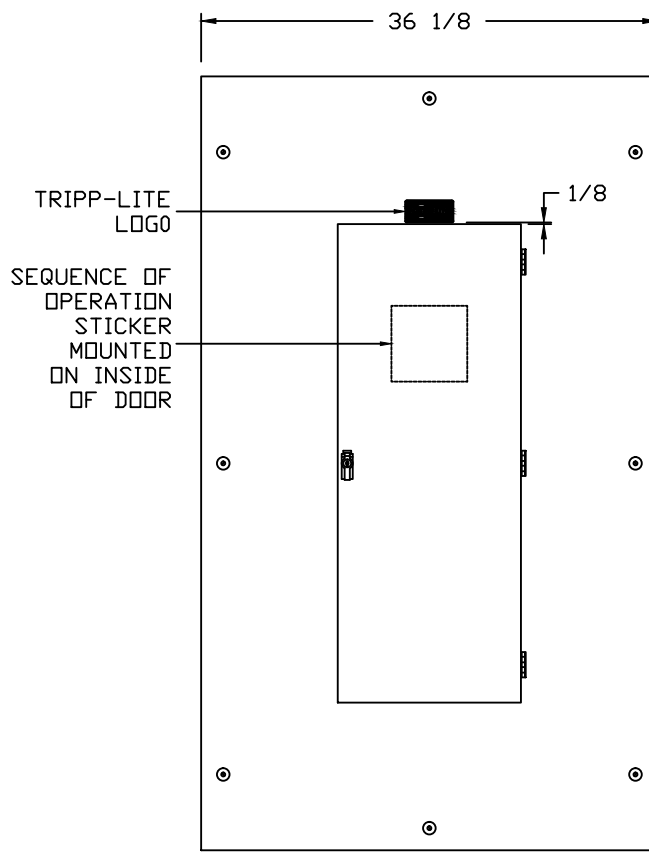
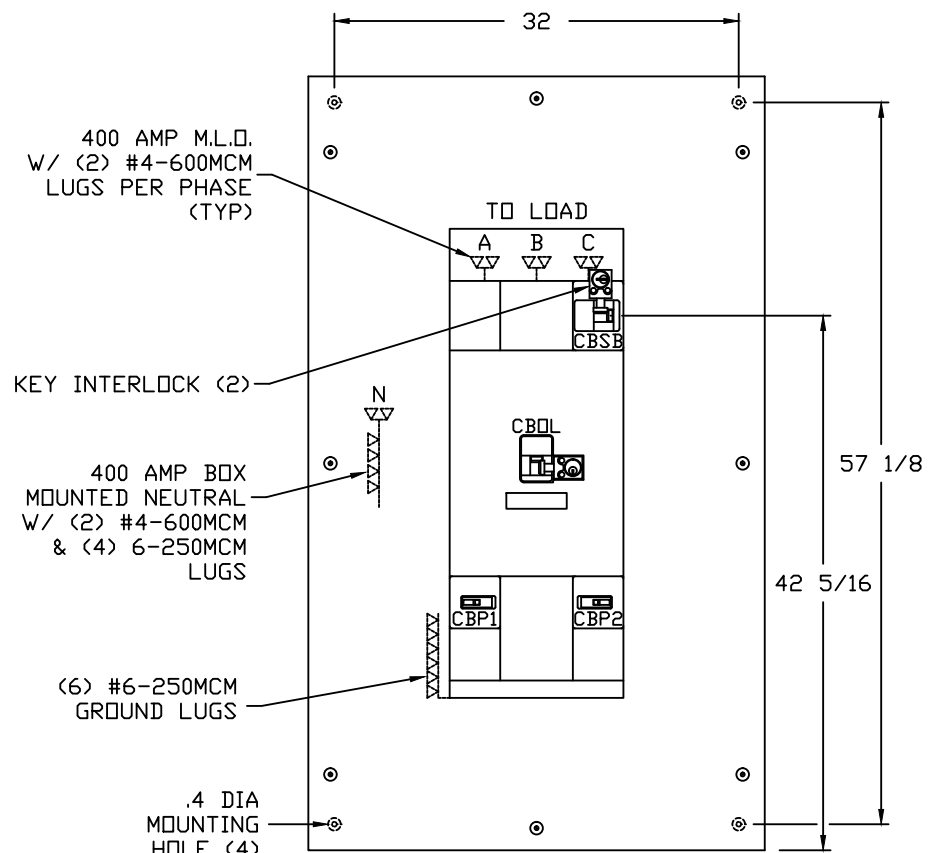


LEFT SIDE VIEW



FRONT VIEW



FRONT VIEW  
DOOR REMOVED

PARALLEL CABINET WITH SYSTEM MAINTENANCE BYPASS

SHEET 1 OF 3



TRIPP-LITE POWER PROTECTION

1111 WEST 35TH STREET • CHICAGO ILLINOIS 60609 • 773-869-1600 • FAX 773-869-1625

1	ADDED CBSB BREAKER DIMENSION & GROUND LUGS	09-09-2010	JOB: TRIPP LITE POWER PROTECTION, CHICAGO, ILLINOIS
2	ADDED TRIPP-LITE LOGO & SHT 3 OF 3	09-14-2010	CONTR.:
3	REVISED LOAD AND GROUND LUGS	06-30-2011	DISTR.:
4	REVISED NEUTRAL & GROUND BARS, RELOCATED TRIPP-LITE LOGO (RSH)		DATE: 08-31-2010
			DRAWN BY: RH
			C.D.#:
			S.D.#:
	REVISIONS	DATE	CAD NO.: TLP2MBP400A01
			DRAWING NO.: 113215

PARALLEL CABINET WITH SYSTEM MAINTENANCE BYPASS (PCSMB)

MUS	SYSTEM OUTPUT	TYPE	CABINET DESIGNATOR	STOCK NUMBER	ASSEMBLY NUMBER	DESIGN VOLTAGE	CBOL & CBSB		CBP1		CBP2		CBP3		CBP4		O/P BUS RATING (AMPS)	UPS QTY
							SIZE	FRAME (C-H)	SIZE	FRAME (C-H)	SIZE	FRAME (C-H)	SIZE	FRAME (C-H)	SIZE	FRAME (C-H)		
2x40K	80KVA	C	SUPC2MBP40K	AC8223	550186	208	300AT/400AF	KD3300	150AT/225AF	ED3150	150AT/225AF	ED3150	---	---	---	---	400	2
2x80K	80KVA	R	SUPR2MBP80K			208	300AT/400AF	KD3300	300AT/400AF	KD3300	300AT/400AF	KD3300	---	---	---	---	400	2
2x60K	120KVA	C	SUPC2MBP60KX	AC8219	550185	380/400/415	250AT/400AF	KD3250	125AT/225AF	FD3125	125AT/225AF	FD3125	---	---	---	---	400	2
2x80K	160KVA	C	SUPC2MBP80KX	AC8218	550184	380/400/415	300AT/400AF	KD3300	150AT/225AF	FD3150	150AT/225AF	FD3150	---	---	---	---	400	2
3x60K	180KVA	C	SUPC3MBP60KX			380/400/415	350AT/400AF	KD3350	125AT/225AF	FD3125	125AT/225AF	FD3125	125AT/225AF	FD3125	---	---	400	3
3x60K	120KVA	R	SUPR3MBP60KX			380/400/415	250AT/400AF	KD3250	125AT/225AF	FD3125	125AT/225AF	FD3125	125AT/225AF	FD3125	---	---	400	3
3x80K	160KVA	R	SUPR3MBP80KX			380/400/415	300AT/400AF	KD3300	150AT/225AF	FD3150	150AT/225AF	FD3150	150AT/225AF	FD3150	---	---	400	3
4x60K	180KVA	R	SUPR4MBP60KX			380/400/415	350AT/400AF	KD3350	125AT/225AF	FD3125	125AT/225AF	FD3125	125AT/225AF	FD3125	125AT/225AF	FD3125	400	4

NOTES  
 R N+1 REDUNDANT MUS  
 C CAPACITY MUS

CABINET DESIGNATOR	STOCK NUMBER	ASSEMBLY NUMBER	KAIC @ RATED VOLTS			ENCL DIMS (IN) & WEIGHT (LBS)				SHIPPING DIMS (IN) & WEIGHT (LBS)			
			@ RATED VOLTS	CBOL & CBSB	CBPn	HEIGHT	WIDTH	DEPTH	TOTAL WEIGHT	HEIGHT	WIDTH	DEPTH	TOTAL WEIGHT
SUPC2MBP40K	AC8223	550186	240	65	65	61.25	36.13	11.80	370	62.00	36.88	12.50	375
SUPR2MBP80K			240	65	65	61.25	36.13	11.80	370	62.00	36.88	12.50	375
SUPC2MBP60KX	AC8219	550185	480	35	35	61.25	36.13	11.80	370	62.00	36.88	12.50	375
SUPC2MBP80KX	AC8218	550184	480	35	35	61.25	36.13	11.80	370	62.00	36.88	12.50	375
SUPC3MBP60KX			480	35	35	61.25	36.13	11.80	370	62.00	36.88	12.50	375
SUPR3MBP60KX			480	35	35	61.25	36.13	11.80	370	62.00	36.88	12.50	375
SUPR3MBP80KX			480	35	35	61.25	36.13	11.80	370	62.00	36.88	12.50	375
SUPR4MBP60KX			480	35	35	61.25	36.13	11.80	370	62.00	36.88	12.50	375

PANEL TYPE: CDP (UL 67 LISTED INTERIOR)  
 SERVICE: SEE TABLE ABOVE.  
 ALTERNATE VOLTAGES: 208V, 380/400/415V.  
 ALTERNATE VOLTAGE STICKERS: PROVIDE STICKERS WITH ALTERNATE VOLTAGES TO BE APPLIED IN FIELD AS REQUIRED.  
 STICKERS INCLUDED IN BAG WITH KEYS.  
 ENCLOSURE: NEMA 1 (UL 50 LISTED ENCLOSURE)  
 BOX: 12 GAUGE PAINTED STEEL, NO KNOCKOUTS.  
 TRIM: 12 GAUGE PAINTED STEEL, HELD TO BOX WITH ADJUSTABLE TRIM CLAMPS - SURFACE MOUNTING.  
 DOOR: EQUIPPED WITH SIERRA GE1RH1 SNAPLOCK.  
 FINISH: GRAY POLYESTER POWDERCOAT APPLIED TO SURFACES TREATED WITH AN IRON PHOSPHATE AND CHROME FREE SEALER.  
 BUS: ELECTROLYTIC COPPER OF 98% CONDUCTIVITY, BASED ON 1000 AMPS PER SQUARE INCH DENSITY.  
 WIRE BENDING GUTTER: MEETS OR EXCEEDS NEC TABLES 312-6(a), 312-6(b).  
 BREAKERS: CUTLER-HAMMER THERMAL-MAGNETIC, 3 POLE, AS INDICATED; SEE TABLE ABOVE FOR BREAKER TYPE, AMPERES, AND A. I. C. RATING.  
 BREAKER TERMINAL LUG: (2) 2/0-250MCM OR (1) 2/0-500MCM PER PHASE.  
 KEY INTERLOCK: KIRK TYPE F, CBSB LOCKED IN THE OPEN POSITION, CBOL LOCKED IN THE CLOSED POSITION.

SHIPPING NOTE: TRIPP-LITE STOCK NUMBER TO BE MARKED ON PACKAGING.

SHEET 2 OF 3



TRIPP • LITE POWER PROTECTION

1111 WEST 35TH STREET • CHICAGO ILLINOIS 60609 • 773-869-1600 • FAX 773-869-1625

1	ADDED TRIPP-LITE LOGO & SHT 3 OF 3	09-14-2010	JOB: TRIPP LITE POWER PROTECTION, CHICAGO, ILLINOIS
2	REPLACED OLD TABLE WITH (2) NEW TABLES (RSH)	07-19-2011	CONTR.:
3	REVISED TABLES & ADDED NOTES (RSH)	07-21-2011	DISTR.:
		DATE: 08-31-2010	DRAWN BY: RH
		C.D.#:	S.D.#:
	REVISIONS	DATE	CAD NO.: TLP2MBP400A01
			DRAWING NO.: 113215

CABINET SYSTEM SCHEMATIC

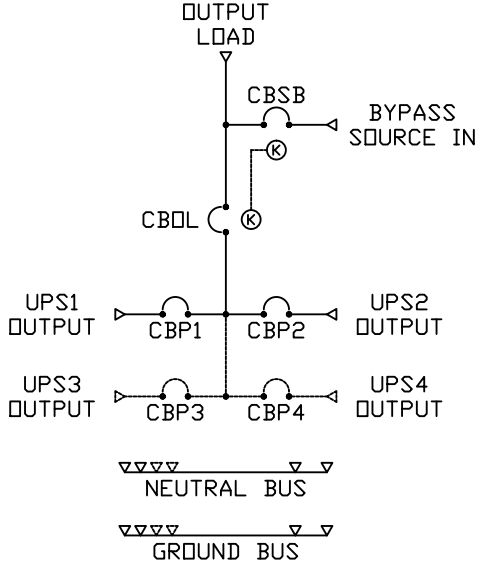
PCSMB SEQUENCE OF OPERATION

TO ISOLATE UPS OUTPUTS FROM BUS:

- 1) PUT ALL UPS INTO STATIC BYPASS BY TURNING OFF THEIR INVERTERS. (SEE OWNERS MANUAL FOR PROPER PROCEDURE).
- 2) CBSB - RETRACT KIRK KEY BOLT, REMOVE KEY AND CLOSE CBSB.
- 3) CBOL - USE KEY TO UNLOCK AND RETRACT BOLT THEN OPEN CBOL. (ALL UPS OUTPUTS CAN NOW BE ISOLATED).
- 4) OPEN UPS OUTPUT BREAKERS TO ISOLATE FROM OUTPUT BUS.

TO RECONNECT UPS OUTPUTS TO BUS:

- 1) VERIFY ALL UPS ARE IN STATIC BYPASS WITH THEIR INVERTERS OFF (SEE OWNERS MANUAL FOR PROPER PROCEDURE).
- 2) CLOSE UPS OUTPUT BREAKERS TO CONNECT TO OUTPUT BUS.
- 3) CBOL - RETRACT KIRK KEY BOLT, REMOVE KEY AND CLOSE CBOL. (ALL UPS OUTPUTS ARE CONNECTED TO OUTPUT BUS).
- 4) CBSB - USE KEY TO UNLOCK AND RETRACT BOLT THEN OPEN CBSB.
- 5) SEQUENCE ALL UPS TO FULL ON-LINE MODE.



TRIPP • LITE POWER PROTECTION

1111 WEST 35TH STREET • CHICAGO ILLINOIS 60609 • 773-869-1600 • FAX 773-869-1625

1	ADDED THIS SHEET	09-14-2010	JOB: TRIPP LITE POWER PROTECTION, CHICAGO, ILLINOIS	
			CONTR.:	
			DISTR.:	
			DATE: 09-14-2010	DRAWN BY: RH
			C.D.#:	S.D.#:
	REVISIONS	DATE	CAD NO.: TLP2MBP400A01	DRAWING NO.: 113215